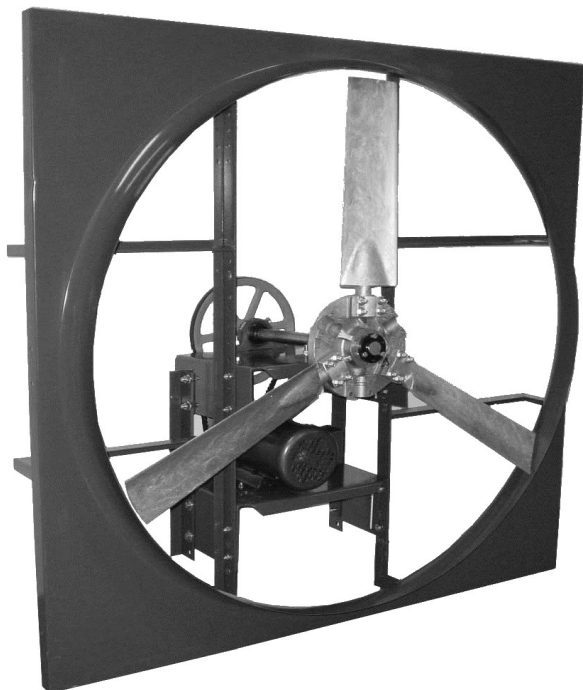


BELT DRIVE AND DIRECT DRIVE PROPELLER FANS



BELT-DRIVE

- Exhaust or supply
- Capacities to 117,800 CFM
- Static pressures to 3/4" WG



DIRECT-DRIVE

- Exhaust or supply
- Capacities to 61,400 CFM
- Static pressures to 3/4" WG

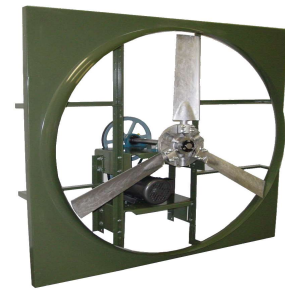


THE NEW YORK BLOWER COMPANY
7660 Quincy Street
Willowbrook, IL 60527-5530

Visit us on the Web: <http://www.nyb.com>
Phone: (800) 208-7918 Email: nyb@nyb.com

CS-731
BWZ 923

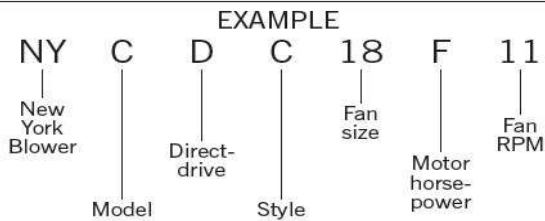
BELT-DRIVE PROPELLER FANS



AMCA SEAL

The New York Blower Company certifies that the Model NYCDC fans shown herein are licensed to bear the AMCA Seal. The ratings shown are based on tests and procedures performed in accordance with AMCA Publications 211 and 311 and comply with the requirements of the AMCA Certified Ratings Program.

7-PART SIZING NOMENCLATURE



Model NYCBC

Exhaust or Supply*

DESIGN FEATURES

- **Five wheel diameters** - 48" through 84".
- **4400 to 117900 CFM** - up to 3/4" static pressure.
- **Frame and panel** - welded steel construction... streamlined venturi inlet.
- **Wheels** - cast-aluminum adjustable-pitch airfoil blades are securely attached to a heavy cast-aluminum hub.
- **Bearings and shaft** - steel fan shaft supported by two heavy-duty pillow-block ball bearings.
- **Finish** - epoxy-powder coating, average 3 mil thickness, baked at 400°F. Impact and chemical-resistant.
- **Dimensions and accessories** - dimensions are shown on page 5. Optional accessories are shown on page 8.

* Supply applications require an additional orifice to achieve catalog performance.

MODEL NYCBC Performance Ratings

USE THESE PERFORMANCE TABLES TO MAKE SELECTIONS REQUIRING PRESSURES ABOVE 1/4"SP.

Fan		CFM							Motor HP	Max. BHP	Sones at 0"SP	Fan RPM	Apprx. Shpg. Wt.	Shutter model
Size	Model	0"SP	1/8"SP	1/4"SP	3/8"SP	1/2"SP	5/8"SP	3/4"SP						
48	NYCBC48N	27131	24062	20721	15365				2	2.26	33	700	359	S48
	NYCBC48P	30968	28293	25550	21826	16995			3	3.39	41	799	383	S48
	NYCBC48Q	36626	34374	32071	29736	26650	22702		5	5.61	54	945	398	SR48
	NYCBC48R	41820	39851	37852	35819	33764	31175	27612	7 1/2	8.32	69	1079	455	SR48†
	NYCBC48S	46044	44258	42452	40615	38768	36875	34504	10	11.09	83	1188	489	SR48†
54	NYCBC54L	23897	17331						1	1.12	22	467	367	S54
	NYCBC54M	27274	22248						1 1/2	1.66	27	533	379	S54
	NYCBC54N	30242	25651	19237					2	2.26	32	591	380	S54
	NYCBC54P	34489	30670	25683	19426				3	3.36	40	674	402	S54
	NYCBC54Q	40988	38123	34250	29377	24447			5	5.64	55	801	430	S54
	NYCBC54R	46770	44345	40954	37973	33060	28834	22856	7 1/2	8.40	70	914	487	SR54
	NYCBC54S	51427	49252	46535	43341	40552	35673	31882	10	11.16	85	1005	519	SR54†
60	NYCBC60L	27428	19065						1	1.11	25	437	381	S60
	NYCBC60M	31382	24760						1 1/2	1.66	31	500	393	S60
	NYCBC60N	34771	29285	20768					2	2.26	37	554	393	S60
	NYCBC60P	39667	35018	28189	21036				3	3.35	46	632	415	S60
	NYCBC60Q	47135	43239	38812	32500	26273			5	5.63	63	751	442	S60
	NYCBC60R	53788	50368	46894	42068	36622	30983		7 1/2	8.36	81	857	500	SR60
	NYCBC60S	59123	56008	52907	49337	44191	39475	34242	10	11.1	97	942	533	SR60
	NYCBC72N	44303	35814						2	2.19	24	281	732	S72
72	NYCBC72P	51083	44599	35032					3	3.35	31	324	754	S72
	NYCBC72Q	60700	55262	47784	40066				5	5.62	41	385	768	S72
	NYCBC72R	69371	64532	59668	51733	45056	32768		7 1/2	8.40	52	440	826	S72
	NYCBC72S	76466	72029	67882	61637	55122	48437	38049	10	11.24	63	485	857	SR72
	NYCBC72T*	87187	83258	79601	75745	69544	63744	58787	15	16.67	80	553	928	SR72†
	NYCBC72U*	96332	92758	89377	86112	82174	76074	70901	20	22.48	98	611	962	SR72†
	NYCBC84Q	74528	66415	54355	39643				5	5.65	36	299	1092	S84
84	NYCBC84R	84997	77824	68687	58350	43030			7 1/2	8.38	45	341	1149	S84
	NYCBC84S	93721	87139	80433	69678	60413			10	11.24	54	376	1180	SR84
	NYCBC84T	106931	101088	95624	88192	78813	71136	59347	15	16.69	69	429	1253	SR84
	NYCBC84U*	117899	112565	107578	102269	93763	86019	79119	20	22.38	83	473	1287	SR84†

* These models have fixed-pitch motor pulley.

† Consult factory for shutter selection based on CFM requirement.

Performance Table Notes:

• Performance shown is for installation Type A: Free Inlet, Free Outlet. Performance ratings do not include the effects of appurtenances in the airstream. Power Rating (BHP) does not include drive losses.

• The sound ratings shown are loudness values in the fan zones at 5 ft. [1.5m] in a hemispherical free field calculated per AMCA Standard 301. Values shown are for installation Type A: Free Inlet fan-zone levels. The sound ratings shown are at 0" static pressure.

• BHP at most static pressures listed is less than that shown. Motor loading beyond the nominal nameplate rating does not overheat the motor and is within NEMA-recommended limits and motor service factor due to the moving airstream.

• Shutter models shown are automatic [gravity] type. Add suffix M for manual operation. Add suffix E for motor operation.

DRIVE DIRECT PROPELLER FANS



AMCA SEAL

The New York Blower Company certifies that the Model NYCDC fans shown herein are licensed to bear the AMCA Seal. The ratings shown are based on tests and procedures performed in accordance with AMCA Publications 211 and 311 and comply with the requirements of the AMCA Certified Ratings Program.

Model NYCDC

Exhaust or Supply*

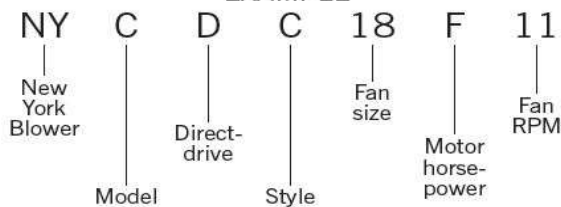
DESIGN FEATURES

- **Eight wheel diameters** - 18" through 60".
- **1600 to 61400 CFM** - up to ¾" static pressure.
- **Panels** - heavy-gauge steel construction with streamlined inlet.
- **Wheels** - cast-aluminum adjustable-pitch airfoil blades. Number of blades and blade pitch set for catalog performance.
- **Finish**- epoxy-powder coating, average 3 mil thickness, baked at 400°F. Impact and chemical-resistant.
- **Horizontal or vertical operation** - for wall or roof mounting.
- **Motors** - wide selection available.
- **Dimensions and accessories** - dimensions are shown on page 5. Optional accessories are shown on page 8.

* Supply applications require an additional orifice to achieve catalog performance.

7-PART SIZING NOMENCLATURE

EXAMPLE



MODEL NYCDC

Performance Ratings

Fan		CFM							Motor HP	Max. BHP	Sones at 0"SP	Fan RPM	Wheel		Appt. Shpg. Wt. (lbs.)	Shutter model
Size	Model	0"SP	1/8"SP	1/4"SP	3/8"SP	1/2"SP	5/8"SP	3/4"SP					No. blades	Pitch		
18	NYCDC18F11	2890	2526	2032					1/6	0.18	9.5	1160	4	23.5	60	SU18
	NYCDC18G11	3328	3035	2632					1/4	0.29	11.5	1160	6	28	62	SU18
	NYCDC18H11	3856	3543	3059					1/3	0.38	12.4	1160	6	33.5	58	SU18
	NYCDC18F17	2642	2299	1967	1595				1/6	0.19	15.4	1750	3	10.5	51	SU18
	NYCDC18H17	3659	3373	3068	2706	2235			1/3	0.38	16.8	1750	3	19	55	SU18
	NYCDC18J17	4050	3820	3587	3320	2993	2610	2194	1/2	0.57	18.7	1750	4	21	63	SU18
	NYCDC18K17	5065	4851	4569	4272	3942	3456	2894	3/4	0.85	23	1750	4	29.5	70	SU18
	NYCDC18L17	5435	5214	4980	4770	4546	4258	3909	1	1.20	22	1750	6	31	74	SU18
24	NYCDC24G8	5890	4869	3546					1/4	0.29	12.1	870	3	28	95	S24
	NYCDC24J8	6923	6304	5478	3998				1/2	0.57	15.4	870	6	30.5	119	S24
	NYCDC24H11	5659	4996	4300	3262				1/3	0.37	17.7	1160	3	15.5	100	S24
	NYCDC24J11	7197	6519	5714	4812				1/2	0.59	19.1	1160	3	23.5	95	S24
	NYCDC24K11	8567	7747	6728	5837	4308			3/4	0.85	22	1160	3	33	104	S24
	NYCDC24L11	9318	8574	7813	6957	5707			1	1.14	25	1160	4	33.5	122	S24
	NYCDC24L17	8229	7753	7358	6983	6460	5854	5210	1	1.18	34	1750	3	14.5	100	S24
	NYCDC24M17	9810	9382	8942	8470	7916	7374	6807	1 1/2	1.70	36	1750	3	19.5	122	SR24
	NYCDC24N17	11646	11235	10739	10221	9651	9052	8445	2	2.31	39	1750	3	27	117	SR24
NYCDC24P17	13449	12948	12461	12005	11563	11089	10517	3	3.47	56	1750	4	31	143	SR24	
30	NYCDC30G8	6959	5680	3716					1/4	0.29	15.3	870	3	12.5	108	S30
	NYCDC30J8	9727	8287	6678					1/2	0.58	16.5	870	3	22.5	116	S30
	NYCDC30K8	11088	9857	8475	6852				3/4	0.85	21	870	4	25	121	S30
	NYCDC30K11	10211	9439	8380	7253	5364			3/4	0.87	26	1160	3	15	131	S30
	NYCDC30L11	11971	11026	9884	8785	7265			1	1.14	27	1160	3	19.5	136	S30
	NYCDC30M11	13453	12657	11661	10742	9675	8208		1 1/2	1.70	31	1160	4	22	162	S30
	NYCDC30N11	15421	14507	13519	12375	11277	10049		2	2.27	34	1160	4	27	175	SR30
	NYCDC30N17	13716	13156	12517	11835	11161	10457	9695	2	2.24	47	1750	3	12	131	S30
	NYCDC30P17	16883	16339	15746	14907	14287	13592	12818	3	3.46	52	1750	3	17.5	157	SR30
	NYCDC30Q17	20296	19791	19262	18500	17905	17332	16731	5	5.73	65	1750	4	22	175	SR30

See page 6 for performance table notes.

MODEL NYCDC

Performance Ratings (Continued)

Fan		CFM							Motor HP	Max. BHP	Sones at 0"SP	Fan RPM	Wheel		Apprx. Shpg. Wt.	Shutter model	
Size	Model	0 "SP	1/8 "SP	1/4 "SP	3/8 "SP	1/2 "SP	5/8 "SP	3/4 "SP					No. blades	Pitch			
36	NYCDC36L6	15166	13428	11504	8275				1	1.13	24	680	6	23.5	195	S36	
	NYCDC36M6	17616	16111	13671	10232				1 1/2	1.67	26	680	6	30	247	S36	
	NYCDC36J8	9928	8214	6126					1/2	0.56	24	870	3	8.5	139	S36	
	NYCDC36K8	13266	11226	9218					3/4	0.85	26	870	3	15.5	150	S36	
	NYCDC36L8	15110	13215	10748	8133				1	1.14	27	870	3	20	178	S36	
	NYCDC36M8	17697	15810	13253	10129				1 1/2	1.72	28	870	3	27.5	185	S36	
	NYCDC36N8	19152	17634	15906	13468				2	2.30	33	870	4	28.5	239	SR36	
	NYCDC36P8	22314	21202	19777	17836	15385	12578		3	3.41	39	870	6	29.5	270	SR36	
	NYCDC36M11	15810	14417	12949	11604	10038			1 1/2	1.7	40	1160	3	12.5	185	S36	
	NYCDC36N11	18781	17324	15688	13922	12336	10551		2	2.31	42	1160	3	17.5	194	SR36	
	NYCDC36P11	22145	20931	19114	17409	15401	13202		3	3.44	44	1160	3	24	240	SR36	
	NYCDC36Q11	25938	24835	23680	22432	20951	19063	16909	5	5.71	54	1160	4	29.5	289	SR36	
	NYCDC36Q17	22279	21361	20488	19630	18799	17981	17159	5	5.73	79	1750	3	11	196	SR36	
	NYCDC36R17	27585	26651	25669	24602	23646	22722	21819	7 1/2	8.47	83	1750	3	16.5	240	SR36	
NYCDC36S17	31604	30726	29804	28832	27791	26684	25542	10	11.19	78	1750	3	20.5	267	SR36		
42	NYCDC42L6	18329	15148	11428					1	1.16	28	680	3	18.5	237	S42	
	NYCDC42M6	20660	17624	14584	11783				1 1/2	1.71	31	680	4	21.5	293	S42	
	NYCDC42N6	22048	19876	17980	16050				2	2.31	36	680	6	22	319	S42	
	NYCDC42L8	16053	13871	11574	8770				1	1.14	33	870	3	8	229	S42	
	NYCDC42M8	19684	17398	14856	12241				1 1/2	1.70	37	870	3	13	238	S42	
	NYCDC42N8	22803	20405	17788	14905				2	2.27	41	870	3	17.5	286	S42	
	NYCDC42P8	23247	21939	20679	19429	18052	16304	13495	3	3.31	49	870	6	15	351	S42	
	NYCDC42N11	19570	17975	16339	14624	12881	10654		2	2.29	51	1160	3	6	189	S42	
	NYCDC42P11	23738	21937	20306	18759	17055	14854	12235	3	3.31	58	1160	3	10.5	225	S42	
	NYCDC42Q11	31267	29640	27673	25656	23586	21408	19055	5	5.78	70	1160	3	18.5	240	SR42	
	NYCDC42R17	30907	29798	28711	27672	26655	25554	24398	7 1/2	8.45	114	1750	3	7	225	SR42	
	NYCDC42S17	35812	34607	33414	32280	31206	30175	29155	10	11.27	128	1750	3	10.5	245	SR42	
	48	NYCDC48L6	19158	15792	12004					1	1.16	29	680	3	9	270	S48
		NYCDC48M6	23063	19348	15364					1 1/2	1.70	31	680	3	14	308	S48
NYCDC48N6		24888	21994	18685	15530				2	2.33	37	680	4	15.5	331	S48	
NYCDC48N8		23584	21044	18143	15270	11815			2	2.26	41	870	3	8	302	S48	
NYCDC48P8		28999	26364	23143	20083	16624			3	3.45	47	870	3	13.5	319	S48	
NYCDC48Q8		35919	32759	29209	25467	20568			5	5.64	49	870	3	21.5	378	SR48	
NYCDC48R8		39162	37352	35207	32664	30448			7 1/2	8.5	68	870	6	20	428	SR48	
NYCDC48Q11		32064	30247	28224	26105	23829	21625	19483	5	5.60	70	1160	3	8.5	319	S48	
NYCDC48R11		39344	37422	35328	32792	30462	28136	25773	7 1/2	8.47	80	1160	3	14	359	SR48	
NYCDC48S11		44737	42565	40131	37704	35346	32752	29347	10	11.33	81	1160	3	18.5	395	SR48	
NYCDC48T17		45574	44428	43220	41852	40456	39127	37690	15	16.76	142	1750	3	7	359	SR48	
NYCDC48U17		49629	48619	47609	46599	45581	44500	43422	20	22.17	161	1750	4	7.5	395	SR48	
54		NYCDC54M6	26200	22089	17992					1 1/2	1.73	37	680	3	8.5	375	S54
		NYCDC54N6	29639	25602	20796	14890				2	2.27	39	680	3	12	397	S54
	NYCDC54P8	32293	29264	26144	22614	18652			3	3.33	54	870	3	7.5	393	S54	
	NYCDC54Q8	41756	37845	35237	30261	26722	23053		5	5.82	61	870	3	15	443	SR54	
	NYCDC54R8	48304	45458	42027	35213	30889	26860		7 1/2	8.61	67	870	3	22	473	SR54	
	NYCDC54R11	43875	41864	39351	36781	34602	32118	29100	7 1/2	8.28	94	1160	3	8	439	SR54	
	NYCDC54S11	50560	48007	45916	43404	39866	37179	35111	10	11.36	103	1160	3	12	473	SR54	
	NYCDC54T11	58018	56403	54597	52499	49742	47262	45173	15	17.41	128	1160	4	14.5	500	SR54	
60	NYCDC60N6	31795	26932	21425	16194				2	2.29	40	680	3	6	412	S60	
	NYCDC60P6	37877	32608	27882	21251				3	3.44	48	680	3	11	492	S60	
	NYCDC60Q8	43820	39639	36142	32648	27552	23321		5	5.78	66	870	3	8	452	S60	
	NYCDC60R8	52955	49203	44663	40761	35890	28254		7 1/2	8.71	80	870	3	14	484	SR60	
	NYCDC60S11	54238	51001	48093	45745	43499	40386	35960	10	11.38	104	1160	3	6	480	SR60	
	NYCDC60T11	61427	59014	56886	55040	52871	49802	46550	15	16.81	123	1160	4	7.5	510	SR60	

† Consult factory for shutter selection based on CFM requirement.

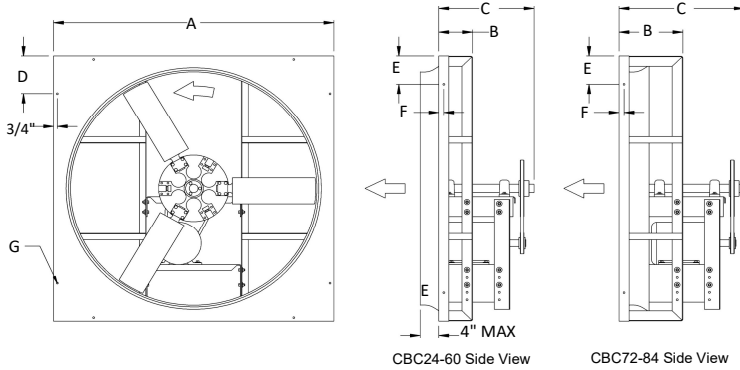
Performance Table Notes:

- Performance shown is for installation Type A: Free Inlet, Free Outlet. Performance ratings do not include the effects of appurtenances in the airstream.
- The sound ratings shown are loudness values in fan sonas at 5 ft. [1.5m] in a hemispherical free field calculated per AMCA Standard 301. Values shown are for installation Type A: Free Inlet fan-sones levels. The sound ratings shown are at 0" static pressure.
- BHP at most static pressures listed is less than that shown. Motor loading beyond the nominal nameplate rating does not overheat the motor and is within NEMA-recommended limits and motor service factor due to the moving airstream.
- Shutter models shown are automatic [gravity] type. Add suffix M for manual operation [except Model SU18]. Add suffix E for motor operation.

DIMENSIONS

Not to be used for construction unless certified.

MODEL NYCBC BELT-DRIVE

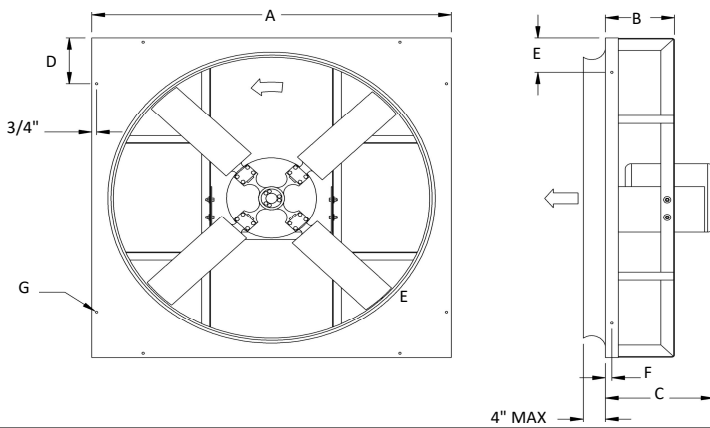


Dimensions in Inches							
Size	A	B	C	D	E	F	G
24	32	5 1/8	18	6	5	7/8	3/8
30	38	5 1/8	18	6	5	7/8	3/8
36	44	5 1/8	19 1/2	7	5	7/8	3/8
42	50	5 1/8	19 1/2	7	4	7/8	3/8
48	56	6 5/8	19 1/2	8	6	1	3/8
54	62	6 5/8	19 1/2	8	6	1	3/8
60	68	6 5/8	19 1/2	11	9	1	1/2
72	80	17 7/8	34	13	11	1 1/8	1/2
84	92	17 7/8	34	15	13	1 5/8	1/2

Tolerance: ±1/8"

1. Dimension is maximum with constant speed, 3-phase TEFC motor of maximum horsepower for fan size and style indicated. This dimension will vary with the type and HP of the motor actually selected. Drawings of belt, drive, and blade assembly are schematic. Multiple belts are used on certain sizes and HPs. Blade assembly is 3-blade for 48" to 60" and 8-blade for 72" to 84".
2. Mounting-panel hole diameters.

MODEL NYCDC DIRECT-DRIVE

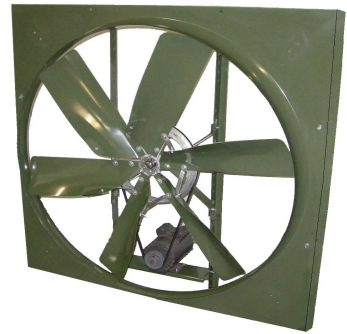


Dimensions in Inches							
Size	A	B	C	D	E	F	G
18	26	5 5/8	13 3/8	11/16	11/16	9/16	17/64
24	32	5 1/8	12 1/2	6	5	7/8	3/8
30	38	5 1/8	13 7/8	6	5	7/8	3/8
36	44	5 1/8	15 3/8	7	5	7/8	3/8
42	50	5 1/8	15 3/8	7	4	7/8	3/8
48	56	6 5/8	17 3/8	8	6	1	3/8
54	62	6 5/8	17 3/8	8	6	1	3/8
60	68	6 5/8	17 3/8	11	9	1	1/2

Tolerance: ±1/8"

1. Dimension is maximum with constant speed, 3-phase TEFC motor of maximum horsepower for fan size and style indicated. This dimension will vary with the type and HP of the motor actually selected.
2. Mounting-panel hole diameters.

BELT-DRIVE PROPELLER FANS



Model NYCBL-NYCBH-NYCBHX

Exhaust or Supply*

DESIGN FEATURES

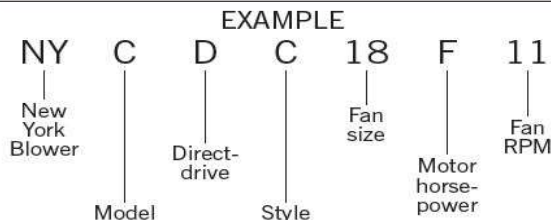
- **Seven wheel diameters** - 24" through 60".
 - **2800 to 58250 CFM** - up to ¼" static pressure.
 - **Frame and panel** - welded steel construction... streamlined venturi inlet.
 - **Wheels** - six die-formed steel blades for maximum airflow, efficient operation.
 - **Bearings and shaft**- fixed shaft design with integral drive sheave/wheel hub assembly...eliminates overhung bearing load. Permanently lubricated/sealed bearings with L-10 life of 300,000 hours.
 - **Finish**- epoxy-powder coating, average 3 mil thickness, baked at 400°F. Impact and chemical-resistant.
 - **Motors** - wide selection available.
 - **Dimensions and accessories** - dimensions are shown on page 5. Optional accessories are shown on page 8.
- * With the addition of a wall housing, the fan can be turned around for use as a supply fan.



AMCA SEAL

The New York Blower Company certifies that the Model NYCDC fans shown herein are licensed to bear the AMCA Seal. The ratings shown are based on tests and procedures performed in accordance with AMCA Publications 211 and 311 and comply with the requirements of the AMCA Certified Ratings Program.

7-PART SIZING NOMENCLATURE



MODEL NYCBL-NYCBH

Performance Ratings

USE THESE PERFORMANCE TABLES TO MAKE SELECTIONS REQUIRING PRESSURES ABOVE ¼"SP.

Size	Fan Model	CFM							Motor HP	Max. BHP	Sones at 0"SP	Fan RPM	Apprx. Shpg.	Shutter model
		0"SP	1/8"SP	1/4"SP	3/8"SP	1/2"SP	5/8"SP	3/4"SP						
24	NYCBL24K	7593	7123	6567	5842	5044			3/4	0.91	25	987	93	S24
	NYCBH24L*	8143	7705	7248	6726	5879	5119		1	1.28	28	1065	98	S24
	NYCBH24M*	8992	8597	8188	7755	7217	6397	5719	1 1/2	1.72	33	1176	128	S24
30	NYCBL30K	10536	9538	8431	6784				3/4	0.91	20	718	106	S30
	NYCBH30L	11945	11072	10139	9073	5684			1	1.25	25	814	111	S30
	NYCBH30M	12601	11810	10932	9855	8395	6779		1 1/2	1.7	27	865	140	S30
	NYCBH30N	13956	13247	12481	11619	10528	9167	7737	2	2.3	34	958	143	S30
	NYCBH30P*	16214	15610	14971	14290	13539	12648	11546	3	3.36	48	1113	168	SR30
36	NYCBL36L	14373	13138	11787	9624				1	1.25	15.4	660	119	S36
	NYCBH36M	15902	14845	13330	11742				1 1/2	1.7	21	698	156	S36
	NYCBH36N	17497	16562	15313	13812	12287			2	2.3	25	768	159	SR36
	NYCBH36P	19706	18898	17906	16618	15318	13969	11777	3	3.44	30	865	186	SR36
42	NYCBH42M	19656	17706	15431	12496				1 1/2	1.69	23	530	166	S42
	NYCBH42N	21547	19789	17804	15463	12261			2	2.3	26	581	169	S42
	NYCBH42P	24774	23266	21621	19795	17699	15052		3	3.43	32	668	199	S42
48	NYCBH48N	26512	23794	21127	16104				2	2.30	23	474	214	S48
	NYCBH48P	30316	27912	25634	23110	17991			3	3.44	29	542	259	S48

* These models have fixed-pitch motor pulley.

Performance Table Notes:

- Performance shown is for installation Type A: Free Inlet, Free Outlet. Performance ratings do not include the effects of appurtenances in the airstream. Power Rating (BHP) does not include drive losses.
- The sound ratings shown are loudness values in the fan sones at 5 ft. (1.5m) in a hemispherical free field calculated per AMCA Standard 301. Values shown are for installation Type A: Free Inlet fan-sones levels. The sound ratings shown are at 0" static pressure.
- BHP at most static pressures listed is less than that shown. Motor loading beyond the nominal nameplate rating does not overheat the motor and is within NEMA-recommended limits and motor service factor due to the moving airstream.
- Shutter models are shown as automatic (gravity) type. Add suffix M for manual operation. Add suffix E for motor operation.

MODEL NYCBHX

Performance Ratings

Fan		CFM							Motor HP	Max. BHP	Sones at 0"SP	Fan RPM	Apprx. pg. wt. [lbs.]	Shutter model
Size	Model	0"SP	1/8"SP	1/4"SP	3/8"SP	1/2"SP	5/8"SP	3/4"SP						
48	NYCBHX48R*	38129	36933	35561	33911	32098	30645	29434	7 1/2	7.89	49	745	445	SR48†
	NYCBHX48S*	41814	40733	39530	38153	36527	34915	33622	10	10.33	57	817	479	SR48†
54	NYCBHX54Q	40129	38154	35880	33210	30151	25250		5	5.58	33	547	402	SR54
	NYCBHX54R	46952	45293	43469	41419	39117	36592	33602	7 1/2	8.61	43	640	459	SR54
	NYCBHX54S*	50693	49166	47513	45696	43681	41467	39082	10	10.67	50	691	491	SR54
60	NYCBHX60L	28555	23769						1	1.24	13	302	348	S60
	NYCBHX60M	31864	27859						1 1/2	1.69	15.8	337	360	S60
	NYCBHX60N	34512	30941	25318					2	2.30	18.3	365	360	S60
	NYBCHX60P	39145	36119	31981	26357				3	3.43	22	414	382	S60
	NYBCHX60Q	46425	43964	41005	37085	32291			5	5.68	29	491	409	S60
	NYBCHX60R	53422	51324	48945	46130	42560	38342		7 1/2	8.58	38	565	467	SR60
	NYCBHX60S	58812	56924	54842	52485	49714	46280	42430	10	11.43	45	622	500	SR60

* These models have fixed-pitch motor pulley. See page 6 for performance-table notes.

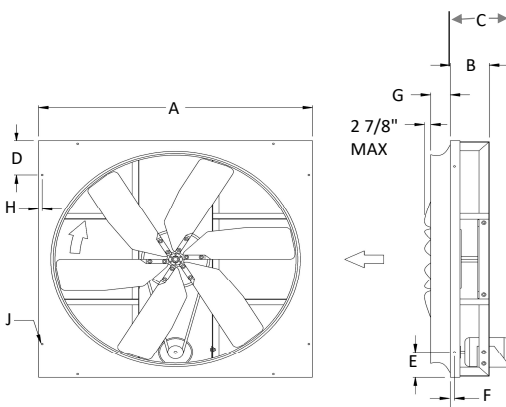
† Consult factory for shutter selection based on CFM requirement.

DIMENSIONS

Not to be used for construction unless certified.

MODEL NYCBL-NYCBH-NYCBHX BELT-DRIVE

Dimensions in Inches



MODELS NYCBL

Size	A	B	C	D	E	F	G	H	J
24	32	5 1/8	12 5/8	6	5	7/8	4	3/4	3/8
30	38	5 1/8	12 5/8	6	5	7/8	4	3/4	3/8
36	44	5 1/8	12 3/4	7	5	7/8	4	3/4	3/8
42	50	5 1/8	12 3/4	7	4	7/8	4	3/4	3/8
48	56	5 1/8	12 3/4	8	5	1	4	3/4	3/8

Tolerance: ±1/8"

MODELS NYCBH

Size	A	B	C	D	E	F	G	H	J
24	32	5 1/8	13 1/4	6	5	7/8	4	3/4	3/8
30	38	5 1/8	16 3/4	6	5	7/8	4	3/4	3/8
36	44	5 1/8	17 1/4	7	5	7/8	4	3/4	3/8
42	50	5 1/8	17 1/4	7	4	7/8	4	3/4	3/8
48	56	5 1/8	17 1/4	8	5	1	4	3/4	3/8

Tolerance: ±1/8"

MODELS NYCBHX

Size	A	B	C	D	E	F	G	H	J
48	56	6 5/8	20 1/2	8	6	1	4	3/4	3/8
54	62	6 5/8	20 1/2	8	6	1	4	3/4	3/8
60	68	6 5/8	20 1/2	11	9	3/4	4	3/4	1/2

Tolerance: ±1/8"

1. Maximum blade protrusion beyond panel.
2. Dimension is maximum with constant speed, 3-phase TEFC motor of maximum horsepower for fan size and style indicated. This dimension will vary with the type and HP of the motor actually selected. Drawings of belt, drive, and blade assembly are schematic. Multiple belts are used on certain sizes and HPs. Blade assembly is 3-blade for 48" to 60" and 8-blade for 72" to 84".
3. Mounting-panel hole diameters.

The New York Blower company has a policy of continuous product development and reserves the right to change designs and specifications without notice.

ACCESSORIES

SHUTTERS - MODEL NYC

Type S and SR- sturdy, all-aluminum shutters correspond with the dimensions of the Model NYC fans and may be mounted to a common frame member for fans through 60". Shutters for 72" and 84" fans are larger than the fan panel. All sizes are available for automatic, manual, or motorized use. For improved fan performance and longer fan and shutter life, a space between fan and shutter equal to ½ the diameter of the propeller is recommended. If job conditions will not permit this, a minimum space of 4" to 7" depending on fan size is required. Shutter bird guard available...mounts to front of shutter. Shutter bird guard not available on Size 18 Model NYDC fan.



WALL HOUSING

Heavy-gauge, galvanized steel wall housings. This combination allows mounting on interior or exterior walls. The wall housing allows for uninterrupted interior space, is used for supply applications on Models NYCBL, NYCBH, and NYCBHX fans, and provides for necessary depth between fan blades and shutters.



GUARDS

Basket-style safety guards for both front side [SGF] and motor side [SGM] for model NYC fans. They are constructed of 16-gauge PVC-coated steel wire with a ½" x 1" spacing and shipped separately. They comply with OSHA regulations for fan-blade guarding and are required for fans installed within 8 feet of floor or work area. When using a wall housing, a flat guard can be supplied. It attaches directly to the flange of the

SPARK-RESISTANT CONSTRUCTION

For hazardous locations, any model NYC fan, with the exception of Model NYCBHX, can be ordered with a nonferrous blade assembly [where not normally supplied] and explosion-proof motors. **Motors only-** qualify for Class I, Group D, and Class II, Groups F and G, hazards.

INTAKE AND DISCHARGE HOODS

Designed to slip over the wall housing. If hood is not going to be attached directly to the wall housing, mounting flanges are available. Guards are also available to cover the free area of the hood.

ADDITIONAL ORIFICE

Required to achieve cataloged performance in supply mode on Models NYCBC and NYDC fans. If fan also requires a wall housing, consult factory as an extended length wall housing may be required.

