

INLET FILTER ASSEMBLIES

FOR PRESSURE BLOWERS AND TYPE HP PRESSURE BLOWERS



Hooded Filter Assemblies



Filter Elements

New York Blower's redesigned, conical-shaped inlet filter assemblies for Pressure Blowers and Type HP Pressure Blowers are designed for greater air flow and efficiency than the typical inlet filter. Additional sizes have been added to fill out the line, and we now offer optional filter-silencer assemblies, with and without hoods.

DESIGN FEATURES

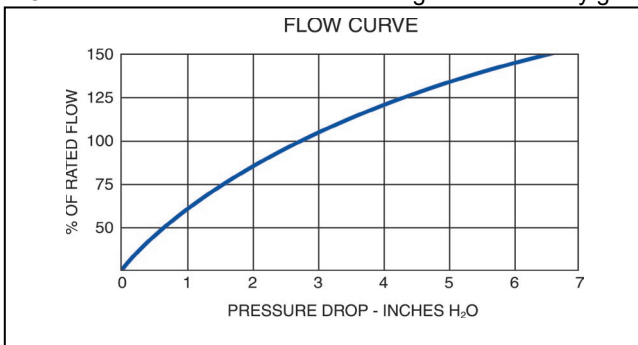
- ▶ The tapered design and venturi-shaped housing allow for a smooth transition of air into the fan inlet.
- ▶ Choice of three media types: Ultra synthetic (99.97% efficient at 1 micron), Hi-Flow synthetic (98% efficient at 10 microns), and Wire Mesh.
- ▶ Filters and filter-silencers are available with optional hoods to protect against environmental conditions and reduce noise.
- ▶ Powder coating on all metal components is standard.

CROSS REFERENCE CHART (Filter Assemblies without Hoods)

Inlet Flange Size	Ultra Synthetic		Old Style Paper		Hi-Flow Synthetic		Old Style Polyester		Wire Mesh		Old Style Oil Wetted	
	Rated Flow †	Part Number	Max. CFM	Part Number	Rated Flow †	Part Number	Max. CFM	Part Number	Rated Flow †	Part Number	Max. CFM	Part Number
5	1100	98-2401	--	New Size	1300	98-2417	--	New Size	1300	98-2433	--	New Size
6	1350	98-2402	1000	98-0581	1620	98-2418	1000	98-2181	1620	98-2434	1000	98-0561
6	2000	98-2403	2250	98-0582	2400	98-2419	2250	98-2182	2400	98-2435	2250	98-0562
6	2250	98-2404	--	New Size	2700	98-2420	--	New Size	2700	98-2436	--	New Size
8	2500	98-2405	1350	98-0583	3000	98-2421	1350	98-2183	3000	98-2437	1350	98-0563
8	2900	98-2406	--	New Size	3450	98-2422	--	New Size	3450	98-2438	--	New Size
8	3300	98-2407	2250	98-0584	4000	98-2423	2250	98-2184	4000	98-2439	2250	98-0564
10	3750	98-2408	3250	98-0585	4500	98-2424	3250	98-2185	4500	98-2440	3250	98-0565
10	4000	98-2409	--	New Size	4800	98-2425	--	New Size	4800	98-2441	--	New Size
10	4250	98-2410	4000	98-0586	5100	98-2426	4000	98-2186	5100	98-2442	4000	98-0566
12	4250	98-2411	3250	98-0587	5100	98-2427	3250	98-2187	5100	98-2443	3250	98-0567
12	5150	98-2412	--	New Size	6200	98-2428	--	New Size	6200	98-2444	--	New Size
12	6100	98-2413	6000	98-0588	7300	98-2429	6000	98-2188	7300	98-2445	6000	98-0568
12	8250	98-2414	--	New Size	9900	98-2430	--	New Size	9900	98-2446	--	New Size
14	10000	98-2415	10000	98-0589	13000	98-2431	10000	98-2189	13000	98-2447	10000	98-0569
16	15000	98-2416	--	New Size	18000	98-2432	--	New Size	18000	98-2448	--	New Size

† The rated flow indicates the airflow in CFM through the filter at a pressure drop of 3" WC when filter is clean. Pressure drop at other than rated airflow can be estimated using the flow curve below.

NOTE: It is recommended that the largest filter for any given flange size be used for Type HP Pressure Blowers.



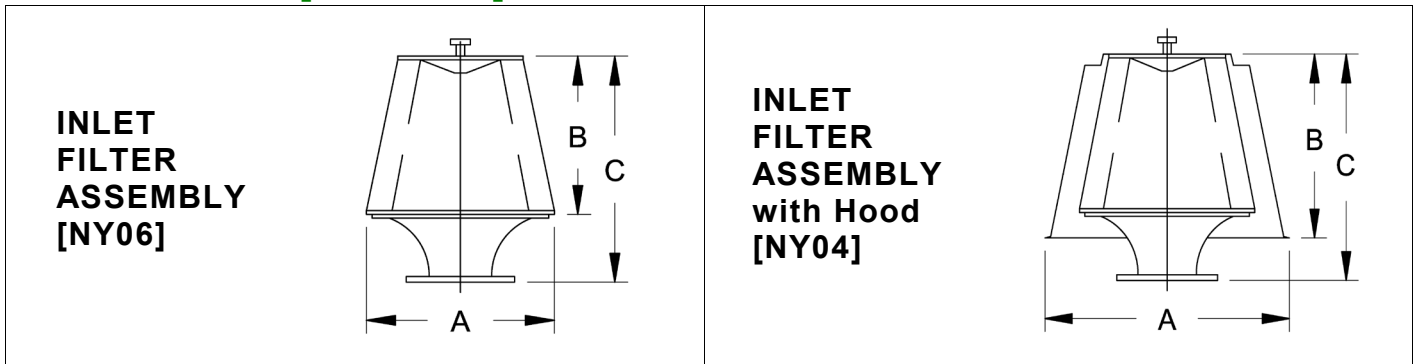
NOTE: Flow Curve chart applies to all filter types

nyb THE NEW YORK BLOWER COMPANY
7660 Quincy Street
Willowbrook, IL 60527-5530

Visit us on the Web: <http://www.nyb.com>
Phone: (800) 208-7918 Email: nyb@nyb.com

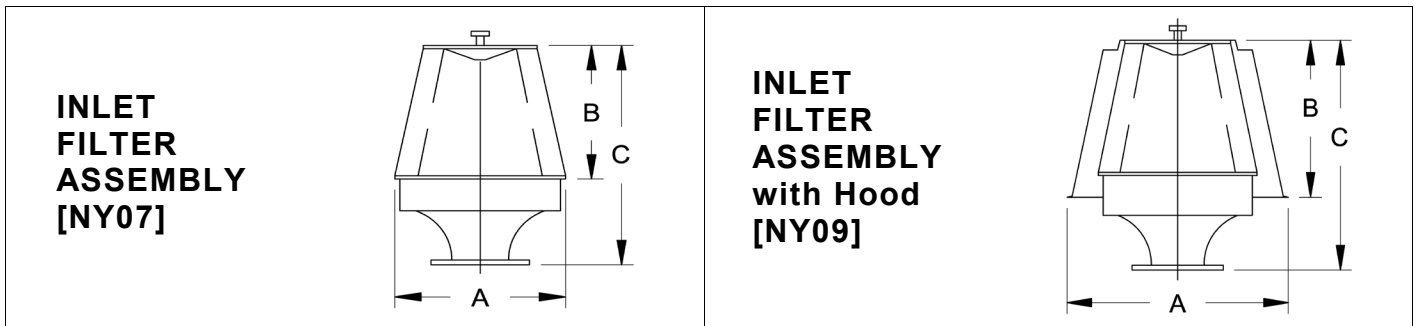
CS-491
Form 822 MJW

DIMENSION [INCHES]



Size		Filter - No Hood						Filter with Hood					
		Dimensions			Weights			Dimensions			Weights		
Flange	Element	A	B	C	Ultra	Hi Flow	Wire Mesh	A	B	C	Ultra	Hi Flow	Wire Mesh
5	3	12	7 ⁷ / ₈	11 ⁷ / ₈	12	13	13	16 ¹ / ₂	8	11 ⁷ / ₈	20	21	21
6	3				14	15	15				22	23	23
6	4	16 ⁵ / ₁₆	10 ³ / ₄	15 ¹ / ₂	20	21	23	25 ¹ / ₄	11 ¹ / ₄	15 ¹ / ₂	39	40	42
6	5	17 ⁵ / ₁₆	14	18 ¹ / ₂	24	24	27		15 ¹ / ₂	18 ¹ / ₂	43	43	46
8	4	18 ⁵ / ₁₆	10 ³ / ₄	15 ¹ / ₂	29	30	32		11 ¹ / ₄	15 ¹ / ₂	41	42	44
8	5		14	18 ¹ / ₂	26	26	29	15 ¹ / ₂	18 ¹ / ₂	45	45	48	
8	6		18 ¹ / ₄	22 ³ / ₄	29	29	33	27 ¹ / ₄	20	22 ³ / ₄	46	46	50
10	4		10 ³ / ₄	15 ¹ / ₂	23	24	26	25 ¹ / ₄	11 ¹ / ₄	15 ¹ / ₂	42	43	45
10	5	18 ⁵ / ₁₆	14	18 ¹ / ₂	27	27	30	15 ¹ / ₂	18 ¹ / ₂	46	46	49	
10	6		18 ¹ / ₄	22 ³ / ₄	30	30	34	27 ¹ / ₄	20	22 ³ / ₄	49	49	53
12	4		10 ³ / ₄	15 ¹ / ₂	25	26	28	25 ¹ / ₄	11 ¹ / ₄	15 ¹ / ₂	44	45	47
12	5		14	18 ¹ / ₂	29	29	32	15 ¹ / ₂	18 ¹ / ₂	48	48	51	
12	6	24 ⁵ / ₁₆	24 ¹ / ₈	28 ¹ / ₂	18 ¹ / ₄	22 ³ / ₄	32	27 ¹ / ₄	20	22 ³ / ₄	55	55	59
12	7				41	41	41	36	26	28 ¹ / ₂	64	64	64
14	7				47	47	47				78	78	78
16	7				58	58	58				86	86	86

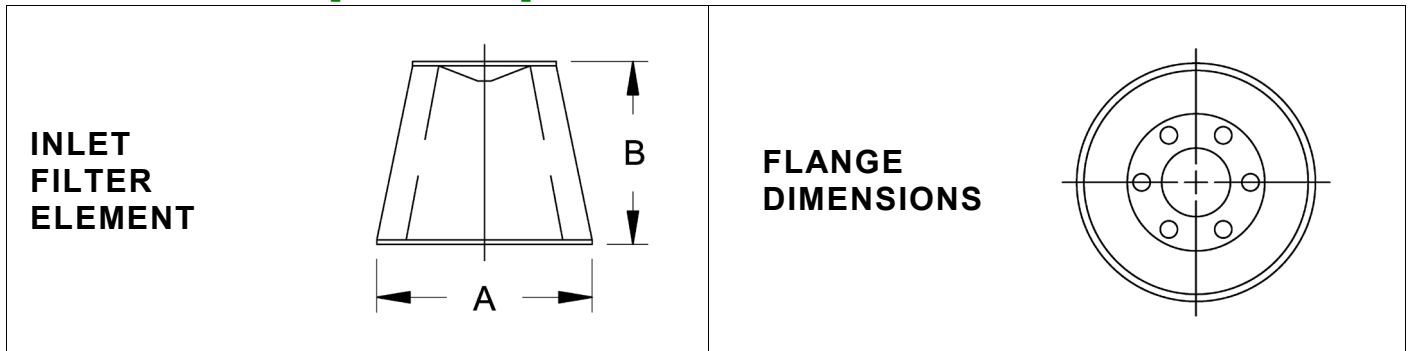
Tolerance: ±1/8"



Size		Filter - No Hood						Filter with Hood					
		Dimensions			Weights			Dimensions			Weights		
Flange	Element	A	B	C	Ultra	Hi Flow	Wire Mesh	A	B	C	Ultra	Hi Flow	Wire Mesh
5	3	12	7 ⁷ / ₈	17 ¹ / ₂	20	21	21	16 ¹ / ₂	8	17 ¹ / ₂	29	30	30
6	3				21	22	22				30	31	33
6	4	16 ⁵ / ₁₆	10 ³ / ₄	21 ¹ / ₄	30	31	33	25 ¹ / ₄	11 ¹ / ₄	21 ¹ / ₄	49	50	52
6	5	17 ⁵ / ₁₆	14	24 ¹ / ₄	34	34	37		15 ¹ / ₂	24 ¹ / ₄	53	53	56
8	4	18 ⁵ / ₁₆	10 ³ / ₄	21 ¹ / ₄	38	39	41		11 ¹ / ₄	21 ¹ / ₄	56	57	59
8	5		14	24 ¹ / ₄	42	42	45	15 ¹ / ₂	24 ¹ / ₄	60	60	63	
8	6		18 ¹ / ₄	29	44	44	48	27 ¹ / ₄	20	29	58	58	62
10	4		10 ³ / ₄	21 ¹ / ₄	33	34	36	25 ¹ / ₄	11 ¹ / ₄	21 ¹ / ₄	57	58	60
10	5	18 ⁵ / ₁₆	14	24 ¹ / ₄	37	37	40	15 ¹ / ₂	24 ¹ / ₄	61	61	64	
10	6		18 ¹ / ₄	29	40	40	44	27 ¹ / ₄	20	29	58	58	62
12	4		10 ³ / ₄	21 ¹ / ₄	38	39	41	25 ¹ / ₄	11 ¹ / ₄	21 ¹ / ₄	57	58	61
12	5		14	24 ¹ / ₄	42	42	45	15 ¹ / ₂	24 ¹ / ₄	61	61	64	
12	6	24 ⁵ / ₁₆	24 ¹ / ₈	34 ¹ / ₂	18 ¹ / ₄	29	45	27 ¹ / ₄	20	29	62	62	66
12	7				55	55	55	36	26	34 ¹ / ₂	72	72	72
14	7				68	68	68				97	97	97
16	7				78	78	78				107	107	107

Tolerance: ± 1/8"

DIMENSIONS [INCHES]



Element Size	A	B	Weight			Flange Size	Holes		Bolt Circle	Gauge	
			Ultra	Hi Flow	Wire Mesh		No.	Size			
3	12	7 ⁷ / ₈	5	6	6	5	4	7/8	8 ¹ / ₂	10	
4	16 ⁵ / ₁₆	10 ³ / ₄	8	9	11	6	8		9 ¹ / ₂		
5	17 ⁵ / ₁₆	14	12	12	15	8			11 ³ / ₄		
6	18 ⁵ / ₁₆	18 ¹ / ₄	15	15	19	10	12	1	14 ¹ / ₄		
7	24 ⁵ / ₁₆	24 ¹ / ₈	25	25	25	12			17		
Tolerance: ± 1/8"											
						14	16	1 1/8	18 ³ / ₄		
						16			21 ¹ / ₄		

Note: The conical-shaped elements can be used as replacements for the old style cylindrical elements. However, cylindrical elements will not fit under conical hoods.