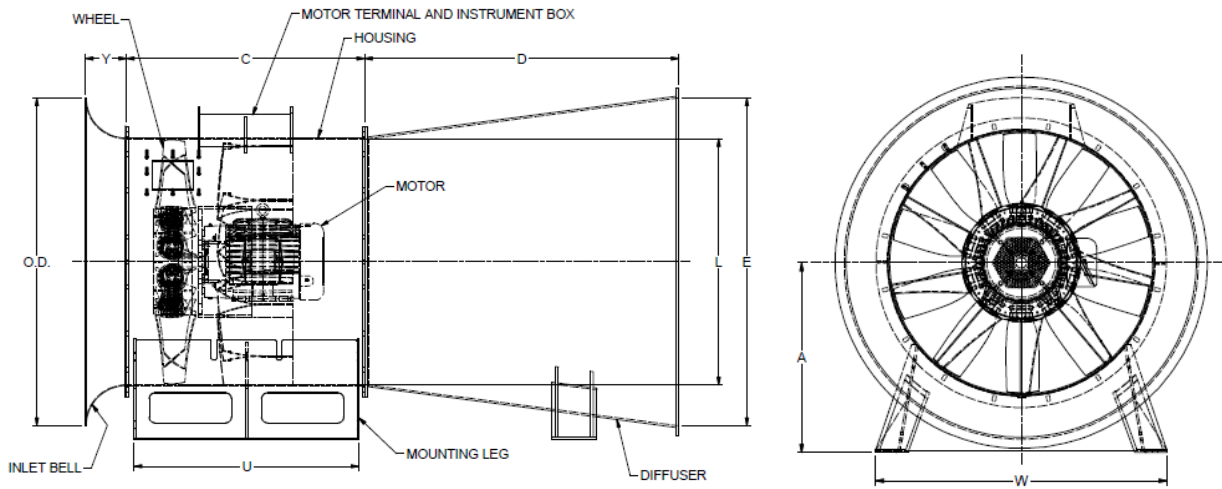


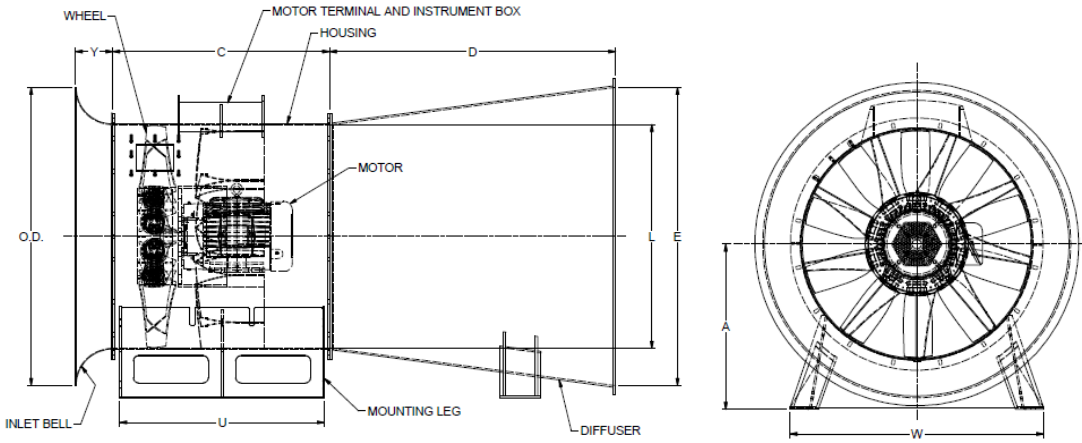
DIMENSIONS 0.45 Hub Ratio CHART VII



SIZE		MOTOR FRAME SIZE	MAX MOTOR DIAMETER	O.D.	Y	C	D		L (I.D.)	E	A	U	W
FULL SOLIDITY	HALF SOLIDITY						Short	Long					
32-14-10	32-14-05	213TC/215TC	13 3/8	43	5 1/2	31 1/2	20 3/4	27 3/4	32 1/2	39 13/16	23 1/2	27 1/2	36
36-16-10	16-16-05	213TC/215TC	15 3/16	48 1/2	6	31 7/8	23 1/5	31 1/8	36 1/2	44 2/3	26	27 7/8	41
		254TC/256TC	15 3/16			36 3/4						32 3/4	
38-18-10	38-10-05	213TC/215TC	15 7/8	50 1/2	6 1/2	32 3/8	24 1/4	32 1/2	38	46 4/7	27 1/2	28 3/8	42 1/2
		254TC/256TC	15 7/8			37 1/4						33 1/4	
		284TC/286TC	15 7/8			39 1/2						35 1/2	
		213TC/215TC	18			33 1/4						29 1/4	
42-19-10	21-19-05	254TC/256TC	18	57	7	38 1/8	27 1/3	36 9/16	42 3/4	52 3/8	30	34 1/8	47 1/2
		284TC/286TC	18			40 5/8						36 5/8	
		324TC/326TC	18			43 1/8						39 1/8	
		213TC/215TC	20 11/16			34						30	
		254TC/256TC	20 11/16			38 7/8						34 7/8	
48-21-10	48-21-05	284TC/286TC	20 11/16	65	8	41 1/8	31	41 9/16	48 3/4	59 11/16	33 1/2	37 1/8	53 1/2
		324TC/326TC	20 11/16			44						40	
		364TC/365TC	20 11/16			46 3/4						42 3/4	
		404TC/405TC	20 11/16										
		284TC/286TC	23 1/4			41 3/4						37 3/4	
		324TC/326TC	23 1/4			44 3/8						40 3/8	
54-24-10	54-24-05	364TC/365TC	23 1/4	73	9	47 3/8	35	47	55	67 3/8	37 1/2	43 3/8	60
		404TC/405TC	23 1/4			51 1/8						47 1/8	
		444TC/445TC	23 1/4										
		324TC/326TC	26			45 1/2						41 1/2	
		364TC/365TC	26			48 1/4						44 1/4	
60-27-10	60-27-05	404TC/405TC	26	81	10	52 1/8	38 13/16	52	61	74 11/16	41 1/2	48 1/8	66
		444TC/445TC	26			56 3/8						52 3/8	
		447TC/449TC	26			67 1/2						63 1/2	
		284TC/286TC	28 1/16			60						56	
		324TC/326TC	28 1/16			60						56	
66-30-10	66-30-05	364TC/365TC	28 1/16	86	12	60	42	56 1/4	66	80 13/16	44	56	71.5
		404TC/405TC	28 1/16			60						56	
		444TC/445TC	28 1/16			60						56	
		447TC/449TC	28 1/16			60						56	
		284TC/286TC	30 3/4			60						56	
		324TC/326TC	30 3/4			60						56	
72-32-10	72-32-05	364TC/365TC	30 3/4	92	12	60	45 7/8	61 1/2	72	88 3/16	47	56	77.5
		404TC/405TC	30 3/4			60						56	
		444TC/445TC	30 3/4			60						56	
		447TC/449TC	30 3/4			60						56	
		284TC/286TC	36 3/16			60						56	
		324TC/326TC	36 3/16			60						56	
84-38-10	84-38-05	364TC/365TC	36 3/16	104	12	60	53 1/2	71 11/16	84	102 7/8	53	56	85
		404TC/405TC	36 3/16			60						56	
		444TC/445TC	36 3/16			60						56	
		447TC/449TC	36 3/16			60						56	
		284TC/286TC	36 3/16			60						56	
		324TC/326TC	36 3/16			60						56	

*Motor may extend beyond tube
 **Consult nyb for non-nema frame size motors

DIMENSIONS 0.54 Hub Ratio CHART VIII

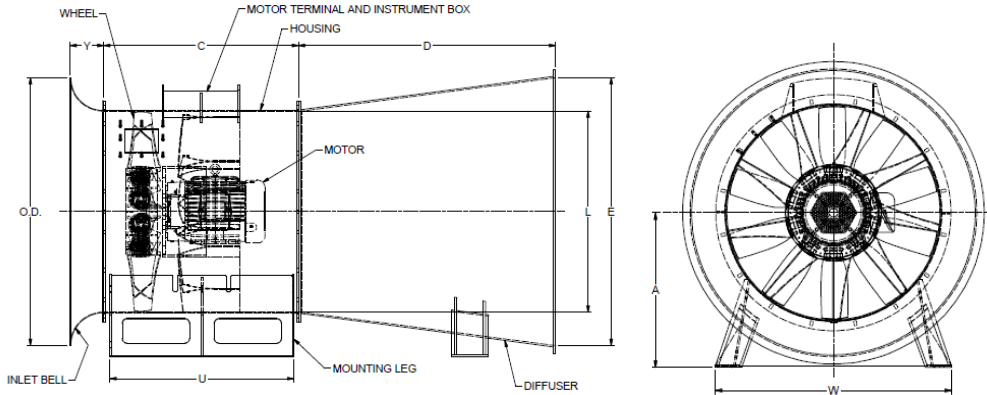


SIZE		MOTOR FRAME SIZE	MAX MOTOR DIAMETER	O.D.	Y	C	D		L (I.D.)	E	A	U	W
FULL SOLIDITY	HALF SOLIDITY						Short	Long					
29-15-12	29-15-13	215TC/215TC	14 13/16	38 7/8	5	35 1/8	18 5/8	24 15/16	29 3/16	35 3/4	22	29 1/8	32
		254TC/256TC	14 13/16			38						34	
		284TC/286TC	14 13/16			40 1/4						36 1/4	
		284TSC/286TSC	14 13/16			40 1/4						36 1/4	
32-17-12	32-17-06	215TC/215TC	16 5/16	43 [1092]	5 1/2 [140]	34 1/836	20 3/4	27 3/4	32 1/2	39 13/16	23 1/2	34 1/8	36
		254TC/256TC	16 5/16			39						35	
		284TC/286TC	16 5/16			41 1/4						37 1/4	
		284TSC/286TSC	16 5/16			41 1/4						37 1/4	
		324TC/326TC	16 5/16			43 3/4						39 3/4	
		324TSC/326TSC	16 5/16			43 3/4						39 3/4	
		215TC/215TC	18 7/16			34 1/8						30 1/8	
		254TC/256TC	18 7/16			40						36	
36-19-12	36-19-13	284TC/286TC	18 7/16	48 1/2	6 1/2	42 1/4	23 3/16	31 1/8	36 1/2	44 11/16	26	38 1/4	41
		324TC/326TC	18 7/16			44 3/4						40 3/4	
		364TC/365TC	18 7/16			47 1/2						43 1/2	
		254TC/256TC	19			40 3/8						36 3/8	
38-20-12	38-20-13	284TC/286TC	19	50 1/2	6 1/2	42 5/8	24 1/4	32 1/2	38	46 9/16	27 1/2	38 5/8	42 1/2
		324TC/326TC	19			45 1/4						41 1/4	
		364TC/365TC	19			48						44	
		404TC/405TC	19			51 3/4						47 3/4	
		254TC/256TC	21 9/16			42 3/8						38 3/8	
		284TC/286TC	21 9/16			44 7/8						40 7/8	
42-23-12	42-23-13	324TC/326TC	21 9/16	57	7	47 3/8	27 5/16	36 4/7	42 3/4	52 3/8	30	43 3/8	47 1/2
		364TC/365TC	21 9/16			50 1/8						46 1/8	
		404TC/405TC	21 9/16			54						50	
		284TC/286TC	24 13/16			46						42	
		324TC/326TC	24 13/16			48 7/8						44 7/8	
		364TC/365TC	24 13/16			51 5/8						47 5/8	
48-26-12	48-26-13	404TC/405TC	24 13/16	65	8	55 3/8	31	41 4/7	48 3/4	59 11/16	33 1/2	51 3/8	53 1/2
		444TC/445TC	24 13/16			59 5/8						55 5/8	
		447TC/449TC	24 13/16			70 7/8						66 7/8	
		324TC/326TC	28 3/16			50 1/4						46 1/4	
		364TC/365TC	28 3/16			53						49	
		404TC/405TC	28 3/16			57 1/8						53 1/8	
54-29-12	54-29-13	444TC/445TC	28 3/16	73	9	61 3/8	35 1/16	47	55	67 3/8	37 1/2	57 3/8	60
		447TC/449TC	28 3/16			72 1/2						68 1/2	
		324TC/326TC	31 7/16			52 3/8						48 3/8	
		364TC/365TC	31 7/16			55 1/8						51 1/8	
		404TC/405TC	31 7/16			59						55	
		444TC/445TC	31 7/16			63 1/4						59 1/4	
60-32-12	60-32-13	447TC/449TC	31 7/16	81	10 1/8	74 3/8	38 13/16	52	61	74 11/16	41 1/2	70 3/8	66
		254TC/256TC	34			60						56	
		284TC/286TC	34			60						56	
		324TC/326TC	34			60						56	
		364TC/365TC	34			60						56	
		404TC/405TC	34			60						56	
66-36-12	66-36-06	447TC/449TC	34	86	12	60	42	56 1/4	66	80 13/16	44	56	71.5
		284TC/286TC	37 1/4			60						56	
		324TC/326TC	37 1/4			60						56	
		364TC/365TC	37 1/4			60						56	
		404TC/405TC	37 1/4			60						56	
		447TC/449TC	37 1/4			60						56	
72-39-12	72-39-06	284TC/286TC	37 1/4	92	12	60	45 7/8	61 1/2	72	88 3/16	47	56	77.5
		324TC/326TC	37 1/4			60						56	
		364TC/365TC	37 1/4			60						56	
		404TC/405TC	37 1/4			60						56	
		447TC/449TC	37 1/4			60						56	
		284TC/286TC	43 3/4			60						56	
84-45-12	84-45-06	324TC/326TC	43 3/4	104	12	60	53 1/2	71 11/16	84	102 7/8	53	56	85
		364TC/365TC	43 3/4			60						56	
		404TC/405TC	43 3/4			60						56	
		447TC/449TC	43 3/4			60						56	

*Motor may extend beyond tube

**Consult nyb for non-nema frame size motors

DIMENSIONS 0.60 Hub Ratio CHART VIII



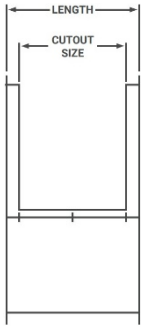
SIZE		MOTOR FRAME SIZE	MAX MOTOR DIAMETER	O.D.	Y	C	D		L (I.D.)	E	A	U	W
FULL SOLIDITY	HALF SOLIDITY						Short	Long					
21-12-12	21-12-13	182TC/184TC	11 3/4	28 1/4	3 11/16	22 7/8	13 1/2	18 1/16	21 3/16	23 15/16	17 5/8	18 7/8	25
		213TC/215TC	11 3/4			26 1/4						22 1/4	
24-14-12	24-14-12	213TC/215TC	13 5/8	32 1/8	4 1/16	26 7/8	15 5/8	20 7/8	24 3/8	29 7/8	19 1/4	22 7/8	28
		254TC/256TC	13 5/8			31 3/4						27 3/4	
27-16-12	27-16-06	213TC/215TC	15 3/16	36 3/8	4 11/16	27 5/8	17 3/8	23 1/4	27 3/8	33 1/2	20 1/2	23 5/8	31
		254TC/256TC	15 3/16			32 1/2						28 1/2	
		284TC/286TC	15 3/16			34 5/8						30 5/8	
		284TC/286TSC	15 3/16			34 5/8						30 5/8	
29-17-12	29-17-13	213TC/215TC	16 1/4	38 7/8	5	27 7/8	18 5/8	24 15/16	29 3/16	35 3/4	22	23 7/8	33
		254TC/256TC	16 1/4			32 7/8						28 7/8	
		284TC/286TC	16 1/4			35						31	
		284TC/286TSC	16 1/4			35						31	
		324TC/326TC	16 1/4			37 7/8						33 7/8	
		324TC/326TSC	16 1/4			37 5/8						33 5/8	
32-19-12	32-19-12	213TC/215TC	18 1/4	43	5 1/2	30 7/8	20 3/4	27 3/4	32 1/2	39 13/16	23 1/2	26 7/8	36
		254TC/256TC	18 1/4			33 7/8						29 7/8	
		284TC/286TC	18 1/4			36						32	
		284TC/286TSC	18 1/4			36						32	
		324TC/326TC	18 1/4			38 7/8						34 7/8	
		324TC/326TSC	18 1/4			38 5/8						34 5/8	
36-21-12	36-21-13	254TC/256TC	20 5/8	48 1/2	6 1/2	34 7/8	23 3/16	31 1/8	36 1/2	44 11/16	26	30 7/8	41
		284TC/286TC	20 5/8			37						33	
		284TSC/286TSC	20 5/8			37						33	
		324TC/326TC	20 5/8			39 7/8						35 7/8	
		324TSC/326TSC	20 5/8			39 5/8						35 5/8	
		364TC/365TC	20 5/8			43 1/4						39 1/4	
38-22-12	38-22-13	254TC/256TC	21 9/16	50 1/2	6 1/2	35 1/8	24 1/4	32 1/2	38	46 9/16	27 1/2	31 1/8	42 1/2
		284TC/286TC	21 9/16			37 1/4						33 1/4	
		324TC/326TC	21 9/16			40 1/8						36 1/8	
		324TSC/326TSC	21 9/16			39 7/8						35 7/8	
		364TC/365TC	21 9/16			43 1/2						39 1/2	
		364TSC/365TSC	21 9/16			42 5/8						38 5/8	
42-25-12	42-25-13	324TC/326TC	24 1/8	57	7	40 7/8	27 5/16	36 9/16	42 3/4	52 3/8	30	36 7/8	47 1/2
		364TC/365TC	24 1/8			44 1/4						40 1/4	
		404TC/405TC	24 1/8			48 1/8						44 1/8	
		444TC/445TC	24 1/8			53 5/8						49 5/8	
		284TC/286TC	27 3/4			39 1/4						35 1/4	
		324TC/326TC	27 3/4			42 3/8						38 3/8	
48-29-12	48-29-13	364TC/365TC	27 3/4	65	8	45 3/4	31	41 9/16	48 3/4	59 11/16	33 1/2	41 3/4	53 1/2
		404TC/405TC	27 3/4			49 1/2						45 1/2	
		444TC/445TC	27 3/4			55						51	
		447TC/449TC	27 3/4			66 1/4						62 1/4	
		324TC/326TC	31 1/2			43 7/8						39 7/8	
		364TC/365TC	31 1/2			47 1/4						43 1/4	
54-33-12	54-33-13	404TC/405TC	31 1/2	73	9	51 1/8	35 1/16	47	55	67 3/8	37 1/2	47 1/8	60
		444TC/445TC	31 1/2			56 5/8						52 5/8	
		447TC/449TC	31 1/2			67 3/4						63 3/4	
		364TC/365TC	35 1/8			48 3/4						44 3/4	
		404TC/405TC	35 1/8			52 5/8						48 5/8	
		444TC/445TC	35 1/8			58 1/8						54 1/8	
60-36-12	60-36-13	447TC/449TC	35 1/8	81	10 1/8	69 1/4	38 13/16	52	61	74 11/16	41 1/2	65 1/4	66
		324TC/326TC	38			60						56	
		364TC/365TC	38			60						56	
		404TC/405TC	38			60						56	
		444TC/445TC	38			60						56	
		447TC/449TC	38			60						56	
66-40-12	66-40-06	364TC/365TC	41 9/16	86	12	60	42	56 1/4	66	80 13/16	44	56	71.5
		404TC/405TC	41 9/16			60						56	
		444TC/445TC	41 9/16			60						56	
		447TC/449TC	41 9/16			60						56	
		364TC/365TC	48 11/16			60						56	
		404TC/405TC	48 11/16			60						56	
72-43-12	72-43-06	444TC/445TC	41 9/16	92	12	60	45 7/8	61 1/2	72	88 3/16	47	56	77.5
		447TC/449TC	41 9/16			60						56	
		364TC/365TC	48 11/16			60						56	
		404TC/405TC	48 11/16			60						56	
		444TC/445TC	48 11/16			60						56	
		447TC/449TC	48 11/16			60						56	
84-50-12	84-50-06	364TC/365TC	48 11/16	104	12	60	53 1/2	71 11/16	84	102 7/8	53	56	85
		404TC/405TC	48 11/16			60						56	
		444TC/445TC	48 11/16			60						56	
		447TC/449TC	48 11/16			60						56	
		364TC/365TC	48 11/16			60						56	
		404TC/405TC	48 11/16			60						56	

*Motor may extend beyond tube
 **Consult nyb for non-nema frame size motors

CONTINUED DIMENSIONS

0.45 / 0.54 / 0.60 Hub Ratio *0.45 hub ratio available size 32-60 **0.54 hub ratio available size 29-60

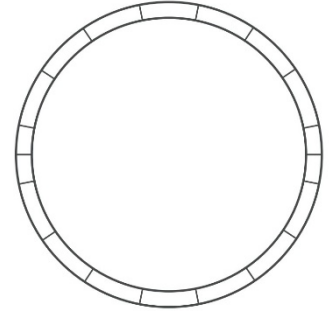
FAN ACCESS



INLET VANE DAMPER DIMENSIONS



FAN FLANGE COMPANION FLANGE DIFFUSER DISCHARGE



FAN FLANGE / COMPANION FLANGE				INLET VANE DAMPER				FAN ACCESS SECTION			DIFFUSER DIMENSIONS (DISCHARGE FLANGE DIMENSIONS)						
SIZE	FAN ID	BOLT CIRCLE	FLANGE OD	FLANGE SLOTS		LENGTH		LENGTH	CUTOUT SIZE	WEIGHT	ID	BOLT CIRCLE	OD	FLANGE SLOTS		LENGTH	
				NUMBER	SIZE	TYPE B	TYPE C							NUMBER	SIZE	SHORT	LONG
21	21 3/16	23	24 5/8	8	7/16 x 13/16	12	14	11 1/2	31 11/16 x 7 1/2	75.4	25 15/16	27 3/4	29 3/8	8	7/16 x 13/16	13 1/2	18 1/16
24	24 3/8	26 1/8	27 3/4			12	14	12	36 3/8 x 8	88.5	29 7/8	31 5/8	33 1/4			15 5/8	20 7/8
27	27 3/8	29 1/8	30 3/4			12	14	12 5/8	40 7/8 x 8 5/8	102.9	33 1/2	35 1/4	36 7/8			17 3/8	23 1/4
29	29 3/16	31	32 5/8			12	14	13 1/2	43 1/2 x 9 1/2	116.1	35 3/4	37 9/16	39 3/16			18 5/8	24 15/16
32	32 1/2	34 1/4	35 7/8			12	14	14	48 7/16 x 10	132	39 13/16	41 9/16	43 3/16			20 3/4	27 3/4
36	36 1/2	38 5/16	41			12	14	14 3/4	54 3/8 x 10 3/4	165.9	44 11/16	46 1/2	49 3/16			23 3/16	31 1/8
38	38	40 1/4	42 1/2	16	9/16 x 1	12	14	-	-	-	46 9/16	48 13/16	51 1/16	16	9/16 x 1	24 1/4	32 1/2
42	42 3/4	45	47 1/4			12	14	-	-	-	52 3/8	54 5/8	56 7/8			27 5/16	36 9/16
48	48 3/4	51	53 3/8			12	14	-	-	-	59 11/16	61 15/16	64 5/16			31	41 9/16
54	55	57 7/16	59 5/8			12	14	-	-	-	67 3/8	69 13/16	72			35 1/16	47
60	61	63 7/16	65 5/8			12	14	-	-	-	74 11/16	77 1/8	79 5/16			38 13/16	52
66	66	68 3/4	71 1/2			-	-	-	-	-	80 13/16	83 9/16	86 5/16			42	56 1/4
72	72	74 3/4	77 1/2	24		-	-	-	-	-	88 3/16	90 15/16	93 11/16	24		45 7/8	61 1/2
84	84	86 3/4	89 1/2			-	-	-	-	-	102 7/8	105 5/8	108 3/8			53 1/2	71 11/16