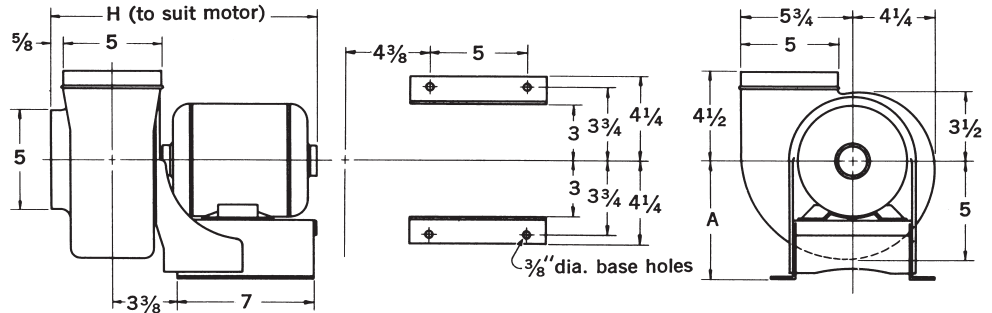


SIZE 53—DIRECT-DRIVE

MAXIMUM TEMPERATURE: 180°F.

WITH 1/3 OR 1/2 HP MOTOR



Inlet and outlet dimensions are OD.
Dimensions not to be used for construction unless certified.

AVAILABLE ONLY IN
CLOCKWISE ROTATION

DIMENSIONS [inches] AND WEIGHTS [lbs.]

Motor frame	A	H [minimum]	H [maximum]	Wheel weight	Fan weight†
48	6	13 1/4	14 7/8	1	9
56	6 1/2	14	15 1/4	1	9

† Fan weight does not include motor weight.

Tolerance: ± 1/8"

SIZE 53

Capacities based on air density of .075 lbs. per cu. ft.
Outlet area: .123 sq. ft.

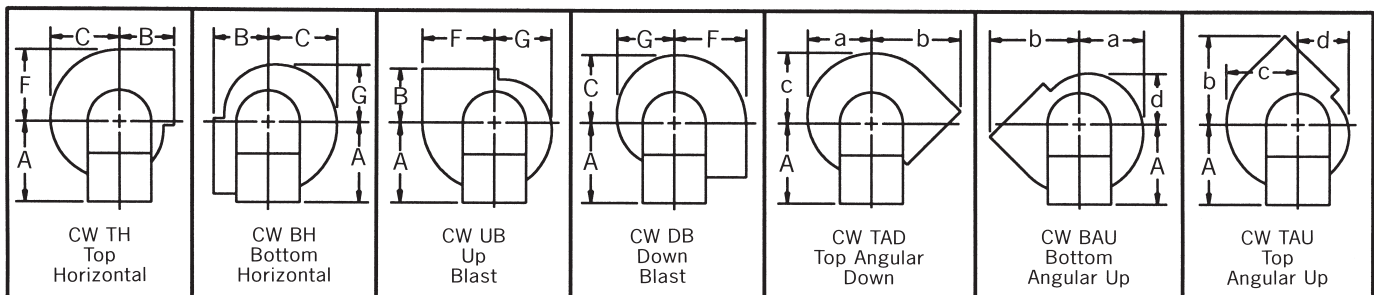
Fan size	Motor		CFM at various static pressures										Max. BHP*
	HP	RPM	0"SP	1/8"SP	1/4"SP	3/8"SP	1/2"SP	1"SP	1 1/4"SP	1 1/2"SP	1 3/4"SP	2"SP	
53	1/3	1725	286	261	236	218	198	—	—	—	—	—	.07
	1/2	3500	—	—	—	—	—	482	462	445	428	300	.47

Performance certified is for installation Type B: Free inlet, Ducted outlet.

Performance ratings do not include the effects of appurtenances [accessories].

* Maximum BHP over cataloged range.

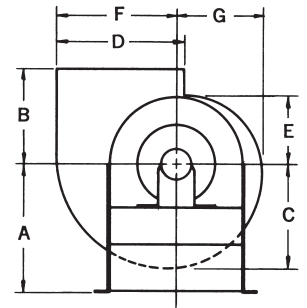
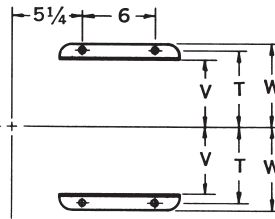
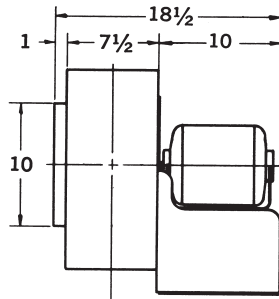
FAN DISCHARGES—VIEWED FROM DRIVE SIDE | SIZES 75 THROUGH 155 DIRECT AND BELT-DRIVE



Clockwise—angular discharges at 45°

SIZES 75/90—DIRECT-DRIVE

MAXIMUM TEMPERATURE: 180°F.



Inlet and outlet dimensions are outside.
Dimensions not to be used for construction unless certified.

DIMENSIONS [inches] AND WEIGHTS [lbs.]

Size	Wheel dia.	Outlet area sq. ft.	A	B	C	D	E	F	G	T	V	W	a	b	c	d	Base holes	Wheel wt.	Fan wt.†
75	7 1/2	.40	10 3/8	6 1/2	7 1/8	8 1/4	5 1/8	8 1/8	6 1/8	5 3/4	5	6 1/2	6 5/8	10 1/2	7 5/8	5 5/8	3/8	3	31
90	9	.52	10 1/2	7 3/4	8 1/2	10 1/2	5 3/4	9 7/8	7 1/8	6 1/4	5 1/2	6 3/4	7 7/8	12 1/2	9 1/4	6 1/2	1/2	5	37

† Fan weight does not include motor weight.

Tolerance: ± 1/32"

SIZES 75/90

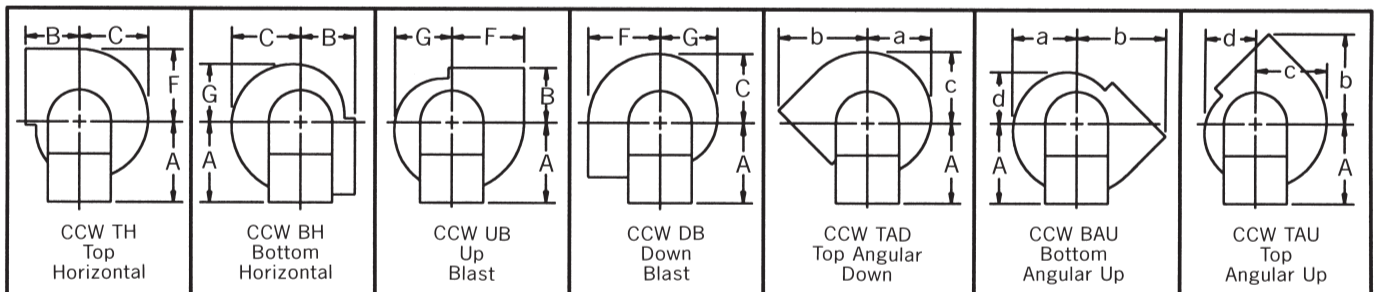
Capacities based on air density of .075 lbs. per cu. ft.

Fan size	Motor		CFM at various static pressures										Max. BHP*					
	HP	RPM	1/8"SP	1/4"SP	3/8"SP	1/2"SP	3/4"SP	1"SP	1 1/4"SP	1 1/2"SP	1 3/4"SP	2"SP						
75	1/6	1150	651	589	510	411	—	—	—	—	—	—	—	—	—	—	—	—
	1/3	1725	—	—	—	905	808	685	—	—	—	—	—	—	—	—	—	.41
	1/2	1725	1026	988	948	905	808	685	—	—	—	—	—	—	—	—	—	.48
90	1/3	1150	1214	1143	1076	1004	805	—	—	—	—	—	—	—	—	—	—	.41
	3/4	1750	—	—	—	—	—	—	—	—	—	—	—	—	1225	915	—	.83
	1	1750	—	—	—	—	—	—	1590	1490	1370	1225	915	—	—	—	1.15	
	1 1/2	1750	1915	1862	1815	1768	1677	1590	1490	1370	1225	915	—	—	—	—	—	1.50

Performance certified is for installation Type B: Free inlet, Ducted outlet.
Performance ratings do not include the effects of appurtenances [accessories].

* Maximum BHP over cataloged range.

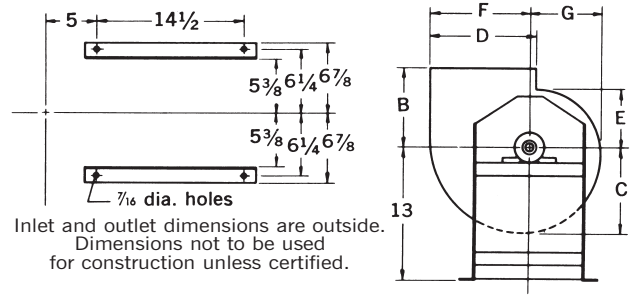
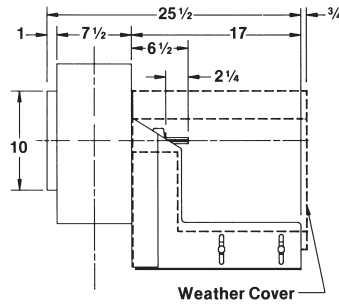
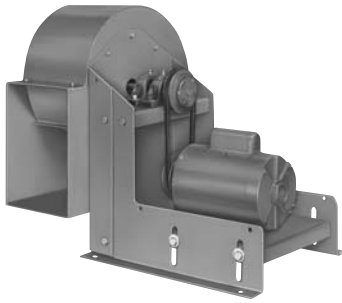
FAN DISCHARGES—VIEWED FROM DRIVE SIDE | SIZES 75 THROUGH 155 DIRECT AND BELT-DRIVE



Counterclockwise—angular discharges at 45°

SIZES 78/93—BELT-DRIVE

MAXIMUM TEMPERATURE: 200°F.—HEAT FAN CONSTRUCTION: 450°F.



Inlet and outlet dimensions are outside.
Dimensions not to be used for construction unless certified.

DIMENSIONS [inches] AND WEIGHTS [lbs.]

Size	Wheel dia.	Outlet area sq. ft.	B	C	D	E	F	G	a*	b*	c*	d*	Shaft dia.	Keyway	Wheel weight.	Fan weight. †
78	7 1/2	.40	6 1/2	7 1/8	8 1/4	5 1/8	8 1/8	6 1/8	6 5/8	10 1/2	7 5/8	5 5/8	5/8	3/16 x 3/32	3	42
93	9	.52	7 3/4	8 1/2	10 1/2	5 3/4	9 7/8	7 1/8	7 7/8	12 1/2	9 1/4	6 1/2	5/8	3/16 x 3/32	6	50

*Discharge dimensions . . . see pages 4 and 5. †Fan weight does not include motor weight.

Tolerance: ± 1/8"

Bearings: Sealmaster NP Series ball bearings or equal.

SIZE 78

Capacities based on air density of .075 lbs. per cu. ft.
Maximum safe speed at 70°F.: 2800 RPM

CFM	OV	1/8"SP		1/4"SP		1/2"SP		3/4"SP		1"SP		1 1/2"SP		2"SP		2 1/2"SP	
		RPM	BHP	RPM	BHP	RPM	BHP	RPM	BHP	RPM	BHP	RPM	BHP	RPM	BHP	RPM	BHP
159	400	549	.01	768	.03												
239	600	606	.02	784	.04	1087	.07	1332	.10								
319	800	693	.03	838	.05	1101	.08	1332	.12	1536	.15						
399	1000	792	.05	920	.07	1144	.10	1350	.14	1541	.18	1883	.28	2176	.37		
479	1200	900	.07	1014	.09	1212	.13	1394	.17	1567	.21	1886	.31	2173	.42	2431	.53
559	1400	1012	.10	1115	.13	1295	.16	1458	.21	1614	.26	1907	.36	2178	.46	2432	.58
639	1600	1130	.15	1220	.17	1387	.22	1537	.26	1678	.31	1945	.41	2201	.52	2439	.65
719	1800	1250	.20	1330	.23	1484	.27	1623	.33	1755	.37	2001	.48	2236	.59	2463	.72
799	2000	1371	.27	1445	.29	1587	.35	1716	.40	1841	.46	2070	.56	2288	.68	2499	.81
879	2200	1494	.34	1560	.36	1691	.43	1815	.48	1932	.54	2146	.66	2351	.79	2547	.92
959	2400	1619	.44	1679	.46	1801	.52	1917	.59	2026	.64	2233	.77	2423	.90	2611	1.05
1039	2600	1744	.54	1801	.57	1913	.64	2024	.70	2127	.77	2321	.91	2503	1.04	2632	1.18

SIZE 93

Capacities based on air density of .075 lbs. per cu. ft.
Maximum safe speed at 70°F.: 2200 RPM

CFM	OV	1/8"SP		1/4"SP		1/2"SP		3/4"SP		1"SP		1 1/2"SP		2"SP		2 1/2"SP	
		RPM	BHP	RPM	BHP	RPM	BHP	RPM	BHP	RPM	BHP	RPM	BHP	RPM	BHP	RPM	BHP
207	400	434	.01	609	.02												
311	600	461	.02	616	.03	862	.06	1054	.10								
415	800	517	.03	642	.04	869	.08	1057	.12	1219	.16						
519	1000	587	.05	691	.06	887	.10	1065	.15	1223	.19	1493	.28	1721	.38		
623	1200	665	.07	754	.09	923	.13	1084	.18	1233	.22	1497	.32	1724	.43	1925	.55
727	1400	747	.10	826	.13	973	.17	1115	.22	1253	.26	1504	.37	1728	.49	1929	.62
831	1600	831	.16	902	.18	1034	.22	1161	.27	1285	.32	1521	.44	1738	.56	1934	.70
935	1800	917	.21	983	.23	1102	.29	1216	.33	1328	.39	1546	.51	1752	.64	1941	.78
1039	2000	1003	.28	1065	.31	1174	.36	1279	.41	1381	.47	1581	.59	1775	.73	1957	.88
1143	2200	1092	.37	1149	.40	1251	.45	1348	.51	1442	.57	1626	.70	1805	.84	1979	.99
1247	2400	1180	.46	1234	.50	1330	.56	1420	.62	1507	.68	1677	.82	1845	.97	2008	1.12
1351	2600	1268	.58	1320	.61	1412	.69	1496	.75	1578	.81	1737	.96	1893	1.11	2046	1.27

Performance certified is for installation Type B: Free inlet, Ducted outlet. Power rating [BHP] does not include transmission losses. Performance ratings do not include the effects of appurtenances [accessories].

Tinted capacities indicate BHP requirements which may exceed maximum motor limitations . . . see below.

NOTE: For calculating performance at elevated temperature or altitude, see performance correction factors in separate Engineering Letter.

MAXIMUM MOTOR LIMITATIONS	Maximum motor frame*		Maximum C-NW dimension
	Open	TE	
	56	56	12 3/4"

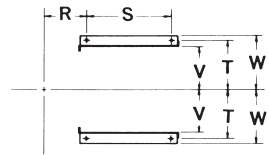
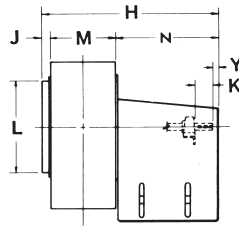
*Frame sizes vary in length with motor manufacturer. Check C-NW dimension above if specific make of motor is required.

MINIMUM/MAXIMUM V-BELT DRIVE CENTER DISTANCES	Motor frame size	Minimum/maximum centers in inches
	48	6.0/7.5
	56	6.0/7.0

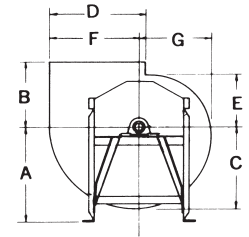
SIZES 125/155-BELT-DRIVE



MAXIMUM TEMPERATURE: 200°F.



Inlet and outlet dimensions are outside.
Dimensions not to be used for construction unless certified.



DIMENSIONS [inches] AND WEIGHTS [lbs.]

Size	Wheel dia.	Outlet area sq. ft.	A	B	C	D	E	F	G	H	J	K	L	M	N
125	12 ¹ / ₄	.86	17	10	12 ³ / ₈	13 ³ / ₄	7 ⁷ / ₈	13	10 ³ / ₈	27 ¹ / ₂	1 ¹ / ₈	3	13 ³ / ₄	9 ³ / ₈	17
155	15	1.52	17	12	15 ¹ / ₈	16 ⁷ / ₈	9 ³ / ₄	15 ⁷ / ₈	12 ³ / ₄	30	1 ⁵ / ₈	3	16 ³ / ₄	11 ³ / ₈	17

Size	R	S	T	V	W	Y	a*	b*	c*	d*	Shaft	Keyway	Base holes	Wheel weight.	Fan weight.†
125	6 ¹ / ₈	12 ⁷ / ₈	9 ¹ / ₄	8 ¹ / ₈	10 ¹ / ₈	5 ⁸ / ₈	11 ⁵ / ₈	16 ¹ / ₄	12 ⁷ / ₈	9 ¹ / ₄	1	1/4 x 1/8	9/16	11	88
155	7 ¹ / ₈	12 ⁷ / ₈	9 ¹ / ₄	8 ¹ / ₈	10 ¹ / ₈	5 ⁸ / ₈	14 ¹ / ₈	19 ³ / ₄	15 ³ / ₄	11 ³ / ₈	1	1/4 x 1/8	9/16	14	133

*Discharge dimensions . . . see pages 4 and 5. †Fan weight does not include motor weight.
Bearings: Link-Belt P3-U200 Series ball bearings or equal.

Tolerance: ± 1/8"

SIZE 125

Capacities based on air density of .075 lbs. per cu. ft.
Maximum safe speed at 70°F.: 1715 RPM

CFM	OV	1/8"SP		1/4"SP		1/2"SP		3/4"SP		1"SP		1 1/2"SP		2"SP		2 1/2"SP	
		RPM	BHP	RPM	BHP	RPM	BHP	RPM	BHP	RPM	BHP	RPM	BHP	RPM	BHP	RPM	BHP
1031	1200	420	.09	498	.12	638	.20	772	.29	893	.44						
1203	1400	464	.13	535	.17	658	.25	777	.34	896	.51						
1375	1600	509	.19	575	.23	688	.31	793	.41	896	.51						
1547	1800	557	.26	616	.30	723	.39	818	.49	910	.59	1094	.84				
1719	2000	608	.34	660	.39	760	.48	850	.59	934	.70	1100	.95	1262	1.23		
1891	2200	658	.44	706	.49	801	.60	884	.71	963	.83	1116	1.08	1266	1.37	1412	1.68
2063	2400	711	.56	752	.61	842	.73	922	.85	997	.98	1137	1.23	1276	1.53	1413	1.85
2235	2600	764	.72	801	.76	884	.88	961	1.02	1032	1.14	1166	1.42	1293	1.71	1421	2.04
2407	2800	819	.88	852	.93	928	1.05	1002	1.20	1071	1.33	1197	1.62	1317	1.92	1436	2.25
2579	3000	873	1.07	903	1.12	972	1.26	1044	1.40	1109	1.54	1230	1.85	1345	2.17	1456	2.50
2751	3200	927	1.29	954	1.34	1019	1.48	1086	1.63	1150	1.79	1267	2.10	1375	2.43	1482	2.78
2923	3400	982	1.54	1007	1.59	1066	1.73	1130	1.88	1192	2.06	1305	2.39	1409	2.73	1511	3.09
3095	3600	1038	1.82	1060	1.87	1114	2.01	1174	2.18	1234	2.35	1343	2.70	1445	3.06	1542	3.43

SIZE 155

Capacities based on air density of .075 lbs. per cu. ft.
Maximum safe speed at 70°F.: 1400 RPM

CFM	OV	1/8"SP		1/4"SP		1/2"SP		3/4"SP		1"SP		1 1/2"SP		2"SP		2 1/2"SP	
		RPM	BHP	RPM	BHP	RPM	BHP	RPM	BHP	RPM	BHP	RPM	BHP	RPM	BHP	RPM	BHP
1535	1200	342	.13	401	.17	510	.26	609	.36	704	.56						
1791	1400	380	.19	433	.24	529	.33	619	.44	715	.67						
2047	1600	418	.27	467	.32	554	.44	637	.55			858	.93				
2303	1800	459	.37	503	.43	584	.55	658	.67	731	.80	866	1.08	991	1.39		
2559	2000	500	.48	540	.55	615	.69	685	.82	751	.96	878	1.26	997	1.58	1106	1.92
2815	2200	542	.63	579	.71	649	.86	714	1.00	776	1.16	895	1.46	1007	1.80	1113	2.15
3071	2400	584	.81	620	.89	685	1.05	745	1.20	803	1.37	914	1.70	1020	2.05	1122	2.42
3327	2600	628	1.01	660	1.09	721	1.27	780	1.45	833	1.62	939	1.97	1039	2.34	1135	2.72
3583	2800	672	1.24	702	1.33	759	1.52	814	1.72	865	1.90	964	2.27	1060	2.66	1150	3.06
3839	3000	715	1.51	743	1.61	798	1.82	850	2.02	899	2.21	993	2.61	1083	3.01	1170	3.44
4095	3200	759	1.81	785	1.93	838	2.14	887	2.36	934	2.57	1023	2.99	1109	3.41		
4351	3400	804	2.16	828	2.28	877	2.51	924	2.73	970	2.97	1056	3.41				
4607	3600	848	2.55	872	2.67	918	2.91	963	3.16	1006	3.40						

Performance certified is for installation Type B: Free inlet, Ducted outlet. Power rating [BHP] does not include transmission losses. Performance ratings do not include the effects of appurtenances [accessories].

 Tinted capacities indicate BHP requirements which may exceed maximum motor limitations . . . see below.

MAXIMUM MOTOR LIMITATIONS	Maximum motor frame*		Maximum C-NW dimension
	Open	TE	
	182T	182T	12"

*Frame sizes vary in length with motor manufacturer. Check C-NW dimension above if specific make of motor is required.

MINIMUM/MAXIMUM V-BELT DRIVE CENTER DISTANCES	Motor frame size	Minimum/maximum centers in inches
	48	7.75/10.75
	56, 143T, 145T, 182T	7.25/10.25 8.25/9.75